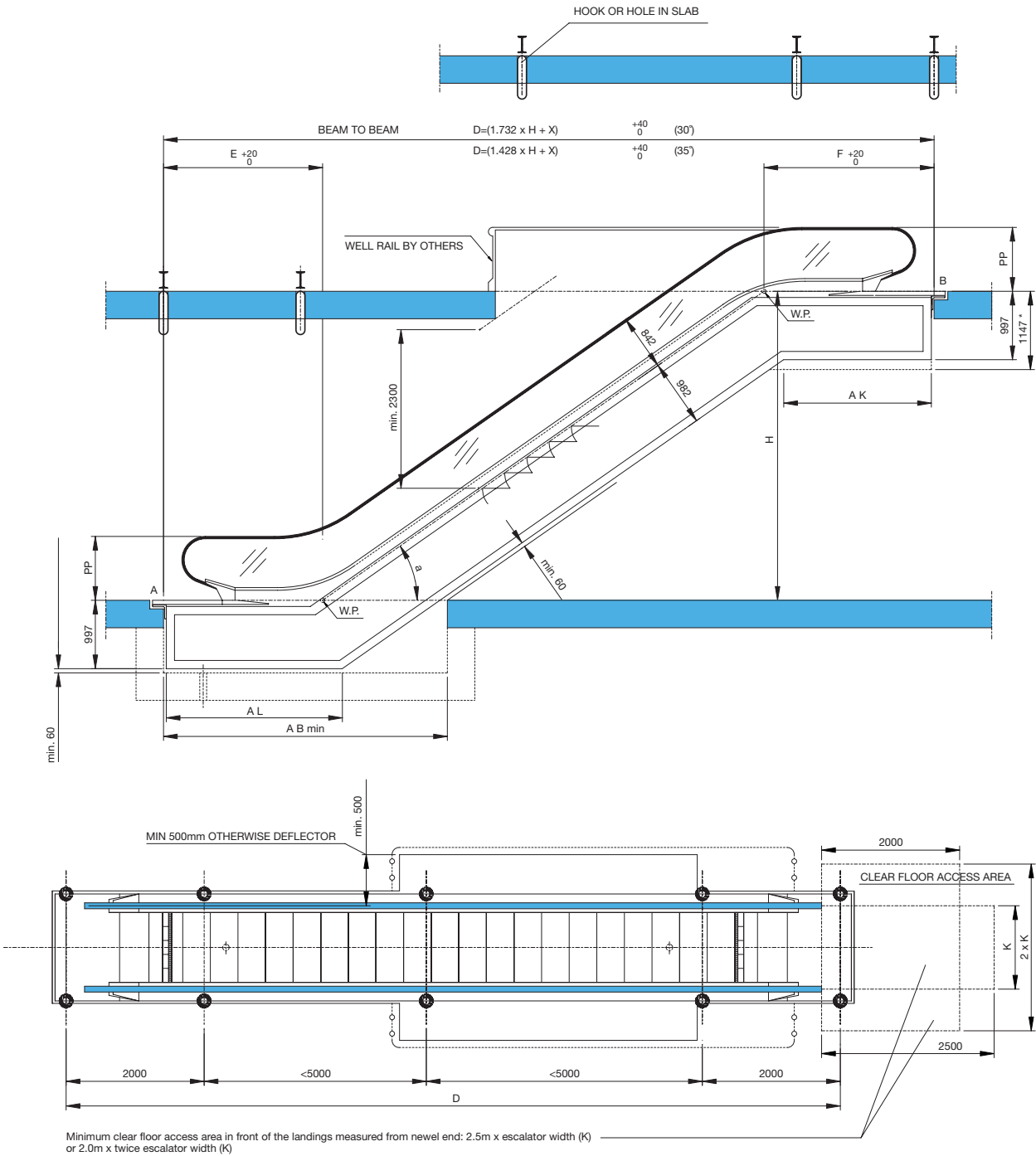


**Escalator Layout**



**Remarks:**

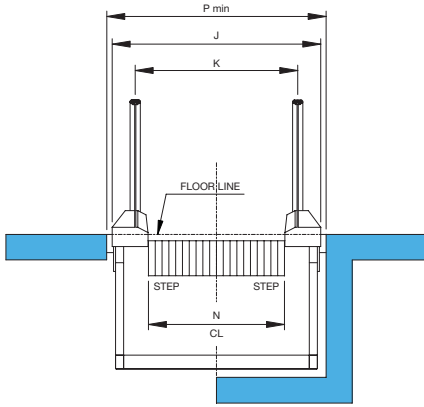
- (\*) For drive machine Type EC-H2 only.
- Max. allowable cladding weight 20kg/m<sup>2</sup>.
- W.P. = Working Point

# Escalator Layout and Specifications

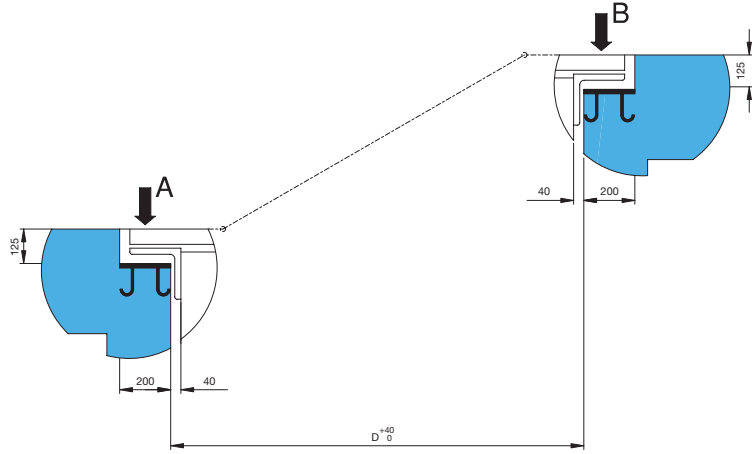
OTIS LINK

Escalator Layout and Specifications

## Escalator Layout



## Specifications



## Technical Parameters

$a = 30^\circ$

3	1000	930	2800	2572	4700	1630	1011	1208	1550	2849	2603	5452	$1.732 H + 5452 + R$	$5.26 D + 10.0$	$5.26 D + 2.0$	WITH MAINTENANCE ROOM IN LOWER AND UPPER LANDING				
		1000				1430	808	1005	1347			467 D + 10.0		$4.67 D + 2.0$						
		800				930	3072	1230	605			802		1144	3349		5952	$1.732 H + 5952 + R$	$4.06 D + 10.0$	$4.06 D + 2.0$
		1000				1630		1011	1208			1550		2449	4652		$1.732 H + 4652 + R$	$5.26 D + 11.4$	$5.26 D + 2.3$	
2	800	930	2400	2172	4300	1430	808	1005	1347	2203	2203	4652	$1.732 H + 4652 + R$	$4.67 D + 11.4$	$4.67 D + 2.3$					
		1000				1230	605	802	1144			2949		5152	$1.732 H + 5152 + R$		$4.06 D + 11.4$	$4.06 D + 2.3$		
		930				2672	1630	1011	1208			1550		2449	4652		$1.732 H + 4652 + R$	$5.26 D + 11.4$	$5.26 D + 2.3$	
		1000					1430	808	1005			1347			2203			4652	$1.732 H + 4652 + R$	$4.67 D + 11.4$
FLAT STEPS	TYPE	PP	AL	AK	AB min	P min	N	K	J	F <sup>+20</sup>	E <sup>+20</sup>	X	D <sup>+40</sup> **	B	A		ARRANGEMENT			
		(kg)	(mm)										(m)	(kg)						

$a = 35^\circ$

3	1000	930	2918	2549	4500	1630	1011	1208	1550	2877	2670	5547	$1.428 H + 5547 + R$	$4.99 D + 10.0$	$4.99 D + 2.3$	WITH MAINTENANCE ROOM IN LOWER AND UPPER LANDING				
		1000				1430	808	1005	1347			443 D + 10.0		$4.43 D + 2.3$						
		800				930	3049	1230	605			802		1144	3377		6047	$1.428 H + 6047 + R$	$3.84 D + 10.0$	$3.84 D + 2.3$
		1000				1630		1011	1208			1550		2477	4747		$1.428 H + 4747 + R$	$5.05 D + 11.4$	$5.05 D + 2.3$	
2	800	930	2518	2149	4100	1430	808	1005	1347	2270	2270	4747	$1.428 H + 4747 + R$	$4.48 D + 11.4$	$4.48 D + 2.3$					
		1000				1230	605	802	1144			2977		5247	$1.428 H + 5247 + R$		$3.89 D + 11.4$	$3.89 D + 2.3$		
		930				2649	1630	1011	1208			1550		2477	4747		$1.428 H + 4747 + R$	$5.05 D + 11.4$	$5.05 D + 2.3$	
		1000					1430	808	1005			1347			2270			4747	$1.428 H + 4747 + R$	$4.48 D + 11.4$
FLAT STEPS	TYPE	PP	AL	AK	AB min	P min	N	K	J	F <sup>+20</sup>	E <sup>+20</sup>	X	D <sup>+40</sup> **	B	A		ARRANGEMENT			
		(kg)	(mm)										(m)	(kg)						

Remarks:

- For formula of D<sup>+40</sup>, R is the value of truss extension.
- For formula of A/B, D is in (m).
- (\*\*\*) If truss extension, typhoon or seismic zone needs to be considered, please contact your local Otis office.