



# CompassPlus™ Touchscreen

An intuitive interface adapted to your changing needs.

### Quality Driven Design

Aluminum cover and face plate

### 12" LCD Touchscreen Display

Great for directory scrolling and lobby messaging

### Click & Go Disability Button

Easy and fast use for all, with color customizable backlighting

### Smart Module

Available space for RFID readers.

Built-in Speaker

Chrome Plated

\*Available in Black or Silver



\*Wall Mount



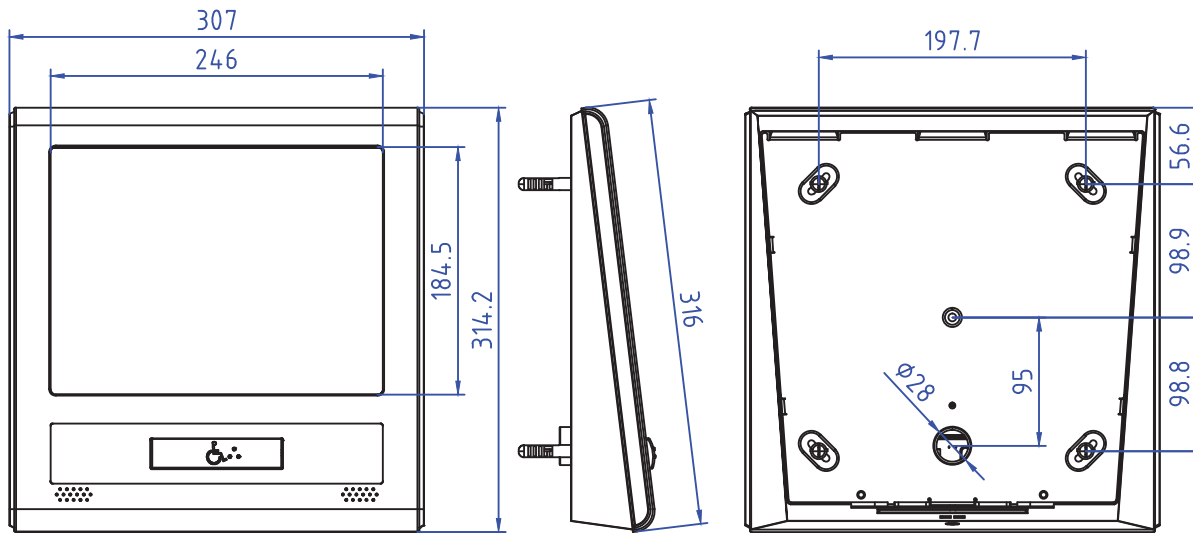
\*Pedestal Mount



www.otis.com



## Technical Specifications



Technical Details	Touchscreen
<b>Physical Dimensions (WxHxD)</b>	307 x 314.2 x 62 mm (12.1 x 12.4 x 2.4 inch)
<b>Mounting Height</b>	960 mm (37.80 inch) Floor to Bottom of Mounting Plate
<b>Screen</b>	12" Display , 800 x 600 pixel, Touchscreen
<b>Energy Consumption</b>	Standby 5W, Max 12.5W
<b>Standby Mode</b>	Yes, After a Selectable Period of Non-Operation
<b>Supply</b>	PoE (IEEE 802.3af)
<b>Card Reader Frequency</b>	125kHz and 13,56MHz
<b>Card Reader Protocols</b>	ISO14443A, ISO14443B-2B, ISO14443B-3B, ISO15693
<b>Standard Card Types</b>	MiFare Classic, MiFare 1K, MiFare 4K (all other cards have to be pre-qualified by our test service center before use)
<b>Range of Application</b>	Temperature: 0 to 40 Degrees C (32 to 104 Degrees F)

