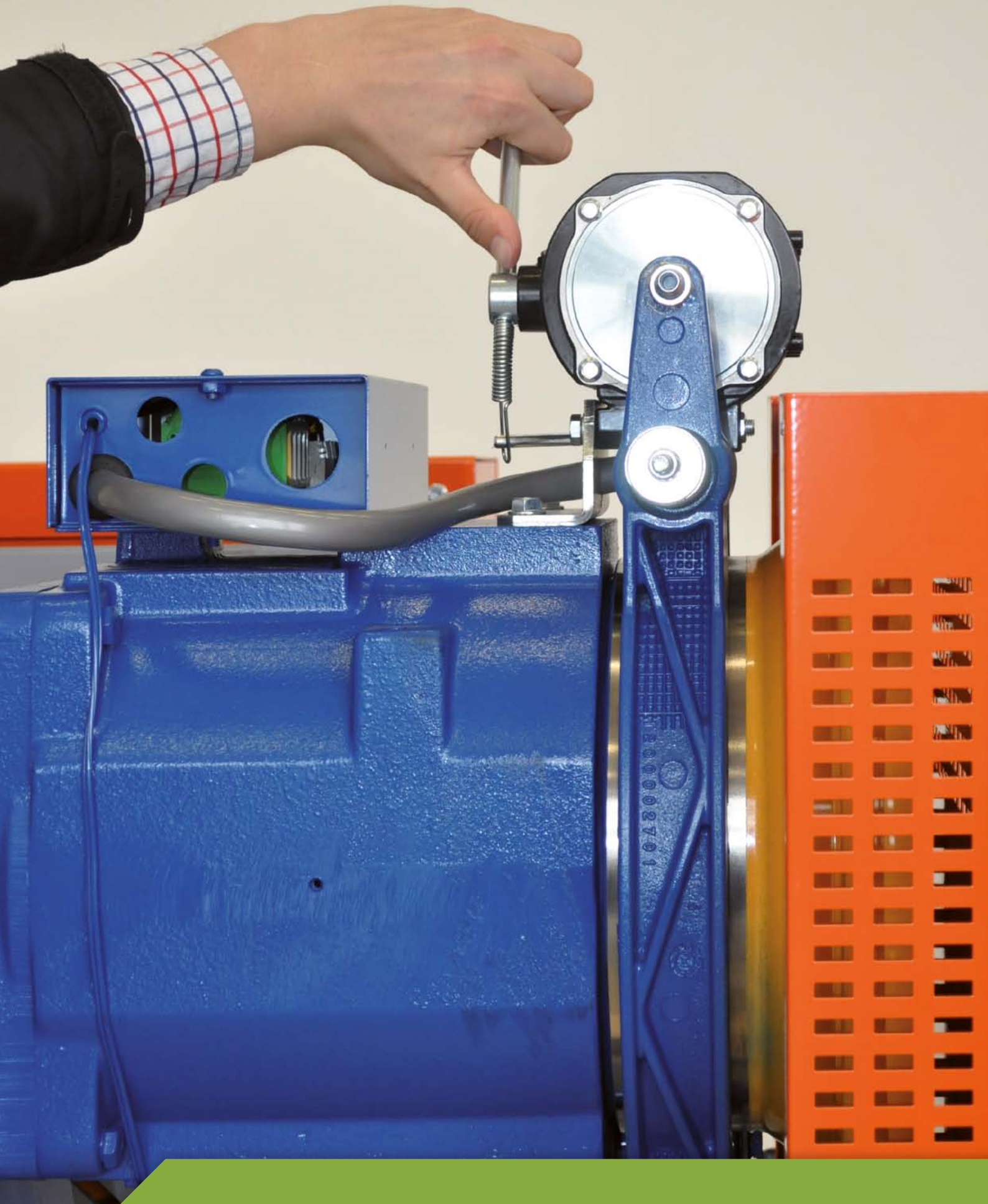


# Elevator Machines



# Elevator Machinery

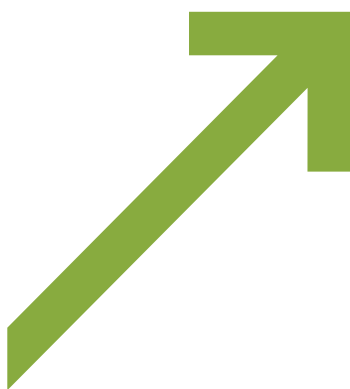
A Mod-Machines package is an open system designed for the upgrade of elevator machinery. Twelve possibilities have been identified which are the most often applied at the upgrade of the machinery of existing elevators. An open system means the company is prepared to design other solutions tailor-made to the customer's local needs. A great advantage of the usage of such elevator machines is their compatibility with the products of OTIS.

Packages include geared machines.

Types of offered machines: **MODY, LEO, MF48, TORO, MF84, MF94.**

Machines are supplied in left and right versions.

## ADVANTAGES OF OUR SOLUTION: **Reliability**



A very good performance combined with reliability is a result of an original design solution based on the latest and high-quality components.

### **Enhanced Safety**

Electric drives are equipped with appliances for automatic switch off in the case of continuous overloading.

### **Reduced Noise**

We respect the comfort of the passengers, and a reduced transmission of vibrations onto the building is an important feature for us. The gear mechanism guarantees a silent and smooth operation of the gearbox. A further reduction of noise has been achieved due to the usage of a minimum number of movable parts and an isolation of the base of the machine.

### **Energy Savings**

The load ranges from 250 kg to 4,000 Kg. A type of the machine used also depends on the cabling and speed.

Table: Range of usage of machines on the basis of a duty load and the maximum static load, for cabling 1:1.

		Duty load [kg]														
		300	400	500	630	700	800	900	1000	1250	2000	3000	4000	5000		
Max Static Load [kg]	2550	MODY														
	3000	LEO														
	3100		MF48													
	4200			TORO												
	6000				MF84											
	8000								MF94							

# Machine Types



MODY



LEO



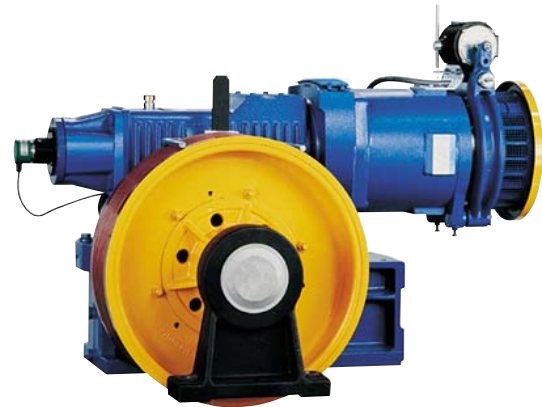
MF48



TORO



MF84



MF94

**A great advantage of the usage of these elevator machines is their compatibility with the products of OTIS:**

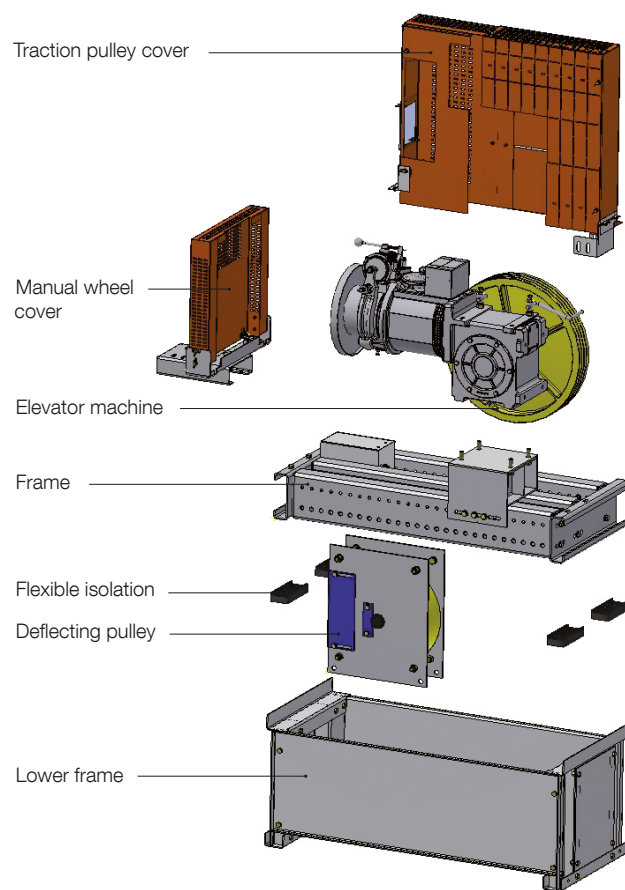
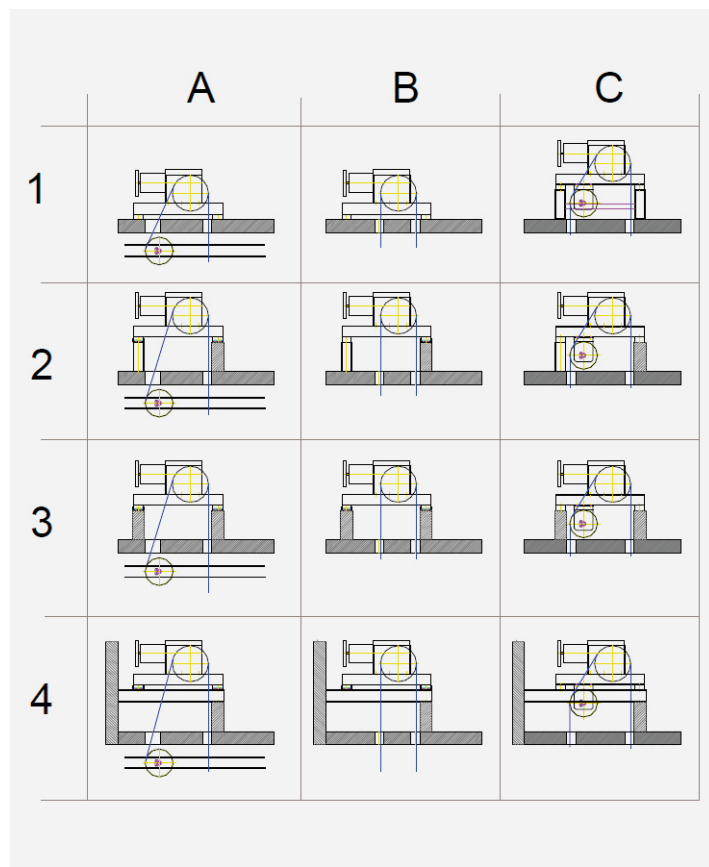
- Electro-packages: E-MOTION and E-MOTION CR;
- Mechanical packages: MOD-Frame; Med-Frame; MOD-Car; MED-Car; COMPACT-Car; Governor package.

**Limits for supplies when ordering a machine and an electro-package of OTIS:**

- Speed from 0.4 m/s to 1.75 m/s;
- The 20CRO drive is up to 1.2 m/s, with max. capacity limit 9 kW;
- The minimum distance between the floors cannot be shorter than 2.3 m;
- The OVF20 drive is limited for a maximum speed of 1.75 m/s, with max.capacity limit 22 kW.

# Solution Options

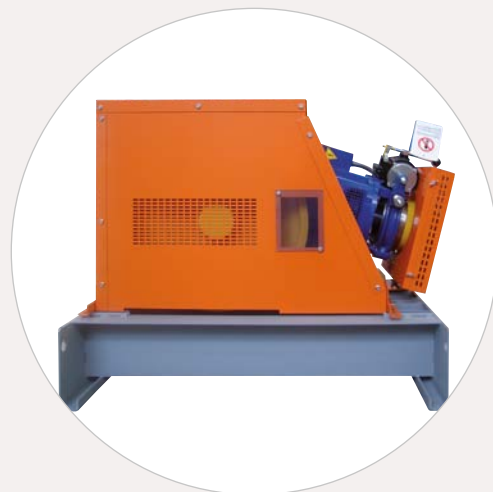
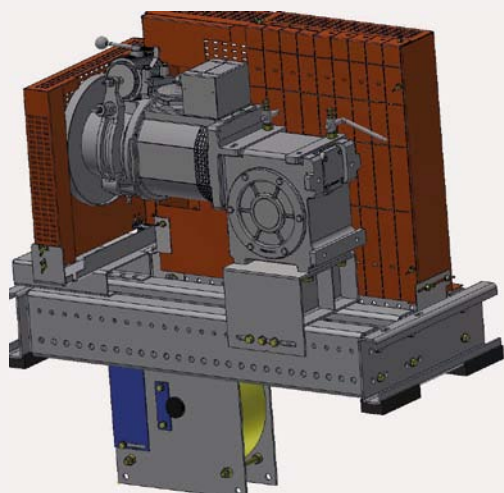
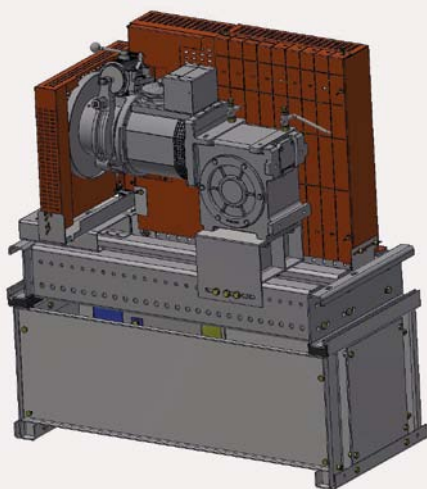
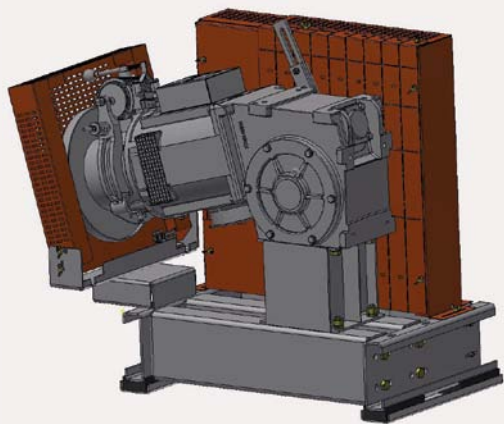
## SYSTEM COMPONENTS FOR ALL THE SOLUTIONS



Configuration	Mod-Machine	Elevator machine	Frame	Flexible isolation	Side stand	Lower frame	Cables	Deflecting pulley
A1	MC1	YES	YES	YES	NO	YES	YES	YES
A2	MC2	YES	YES	YES	YES	NO	YES	YES
A3	MC3	YES	YES	YES	NO	NO	YES	YES
A4	MC3	YES	YES	YES	NO	NO	YES	YES
B1	MB1	YES	YES	YES	NO	NO	YES	NO
B2	MB2	YES	YES	YES	YES	NO	YES	NO
B3	MB1	YES	YES	YES	NO	NO	YES	NO
B4	MB1	YES	YES	YES	NO	NO	YES	NO
C1	MC1	YES	YES	YES	NO	YES	YES	YES
C2	MC2	YES	YES	YES	YES	NO	YES	YES
C3	MC3	YES	YES	YES	NO	NO	YES	YES
C4	MC3	YES	YES	YES	NO	NO	YES	YES



# Solution examples



## The OTIS a.s. Production Plant in the Czech Republic

A very good performance combined with reliability is a result of a rather original design solution which is based on highly reliable components. Our engineers and production specialists have been using their long-time experience in the area of elevator industry since 1974. In such a manner, they contribute to the quality of production as well as to the development of technologies applied in the upgrading of elevators. All the newly developed products are carefully tested directly in the production plant.

